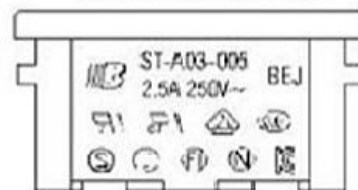
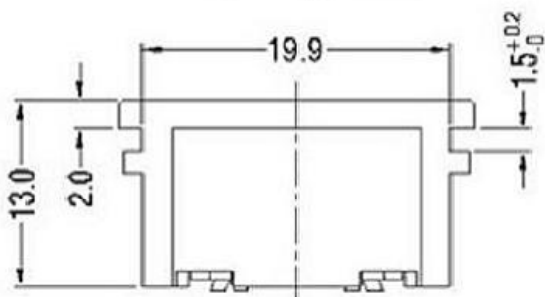
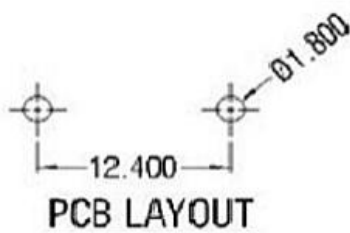


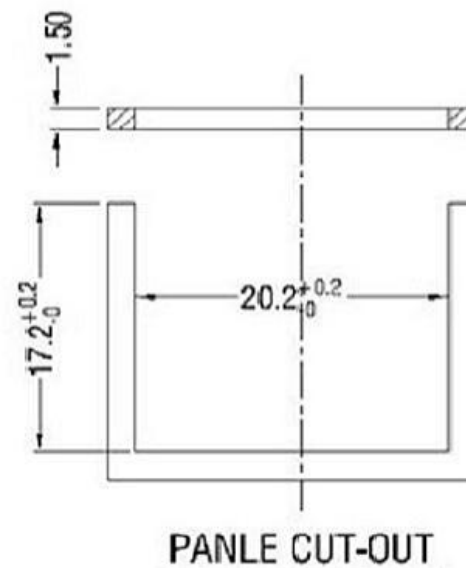
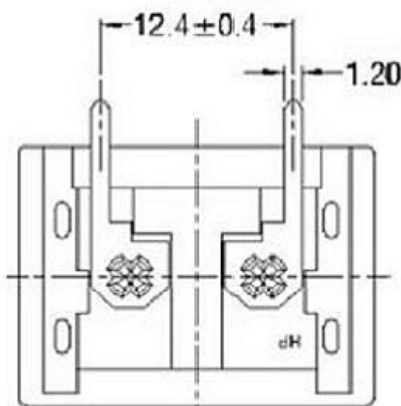
SECTION: A-A



MARK



PCB LAYOUT



PANLE CUT-OUT

**SPEC:**

A. Material:

1. Housing: PA66(HP)

2. Terminal: COPPER ALLOY, TIN PLATED

B. Electrical Characteristics:

1. Rating: 2.5A 250V~

(UL, CUL, CCC, VDE, SEMKO, NEMKO, FIMKO, DEMKO, KC)

2. Electric Strength: AC 2,000 V FOR ONE MINUTE

3. Insulation Resistance: 100MΩ MIN, AT 500V DC

C. Approvals:

UL, CUL, CCC, VDE, SEMKO, NEMKO, FIMKO, DEMKO, KC

普通公差

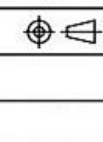
COMMON TOLERANCE:

UP TO 5	±0.20
ABOVE 5 TO 30	±0.30
ABOVE 30	±0.50
ANGULAR	±5°

单位  
UNIT  
绘图  
DRAWN BY  
日期  
DATE

mm  
林晓良  
19.08.12

投影  
PROJECTED  
核对  
CHECKED BY  
核准  
APPROVAL BY



品名  
PRODUCT NAME  
型号  
MODEL NO.  
料号  
PART NO.

AC POWER JACK  
KD-AC电源插座

REV.	DATE	REVISION DESCRIPTION	ISSUE



东莞市高迪电子有限公司